



HERCULES TROMMELS

Mobile Heavy Duty Trommel Screen



CLEANING

SCALPING

SIZING

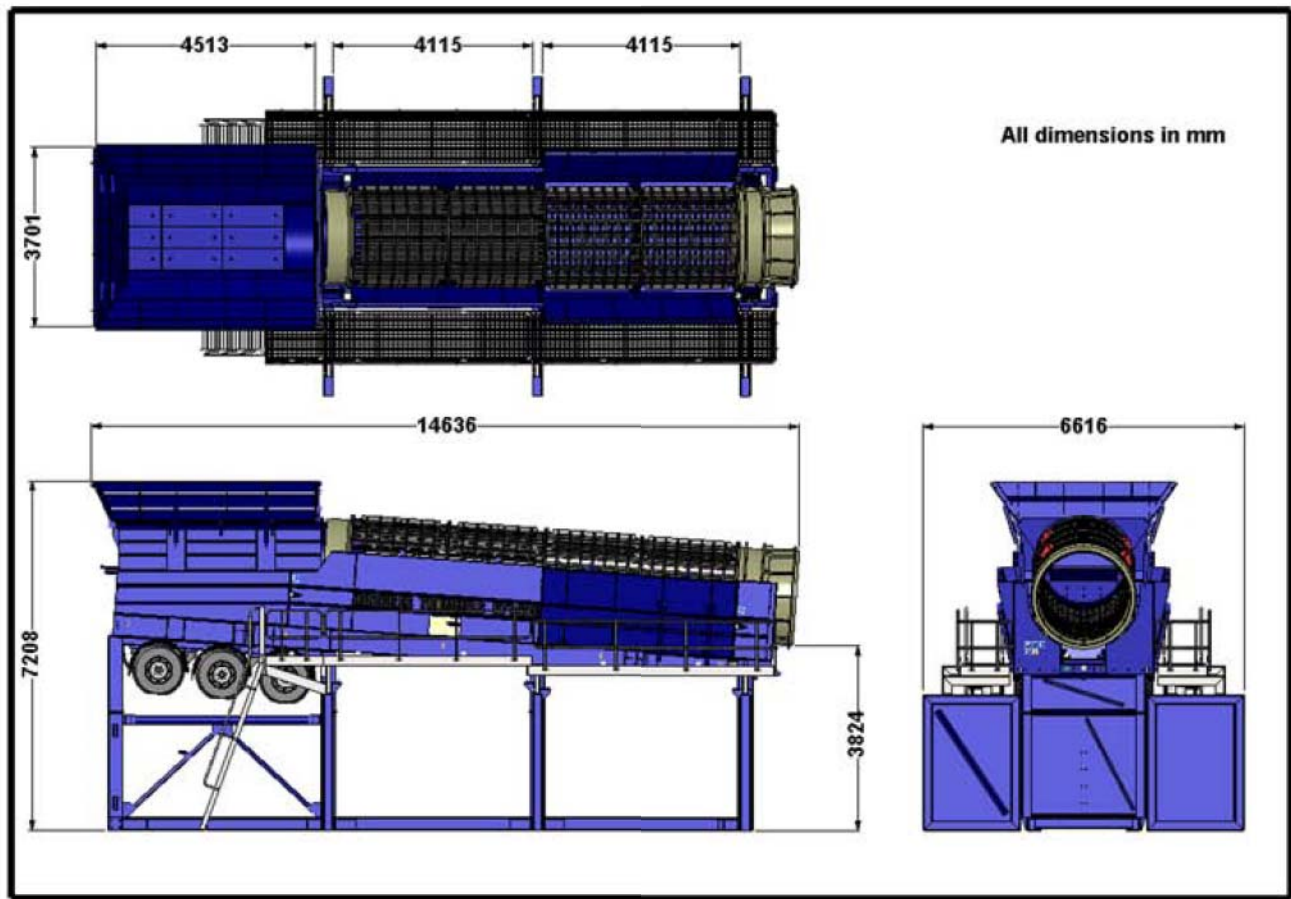
RIP RAP

RECYCLING

OVERBURDEN

- * Fully road towable.
- * Quick and easy site set-up.
- * Can be loaded from side or rear.
- * Wear resistant hopper & feeder.
- * Live drive barrel rotation.
- * Long life rollers & roller paths.
- * Quality designed and engineered.
- * Low maintenance.
- * High throughput.
- * Hopper folds for travelling.
- * Feed by wheel loader or excavator
- * Reciprocating feeder.
- * Heavy duty barrel design.
- * Variable speed feeder & barrel.
- * High reliability.
- * No permanent operator required.
- * High efficiency screening.

Mobile Trommel HT182M



Technical Data

Throughput	500 tonnes/hr	Total road weight	49 tonnes
Maximum feed size	900mm	Hydraulic powerpack	Electric or Diesel
Number of products	5	Optional extras	Fines chute
Hopper capacity	42 tonnes		Product chutes
Barrel diameter	1,800mm		Stockpile conveyor
Barrel segments	4 x 2,000mm		ABS braking
Maximum barrel opening	488mm		Side under run

